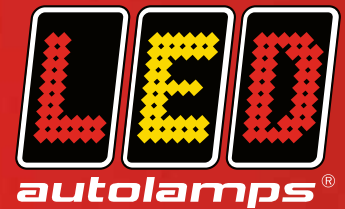


95STIM

ROUND COMPACT COMBINATION LAMP



Voltage Range: 12/24V

Warranty: 3 Years

Ingress Protection: IP67

Approval: ECE & EMC ✓

This 95mm Round Rear Lamp offers Stop / Tail and Indicator functions within a compact, low-profile unit.

The lamp can be recess mounted or fitted in combination with the **95BKT** Surface Mounting Bracket.



3-Function Compact Combination Lamp



Tail



Stop



Indicator



*95BKT bracket sold separately

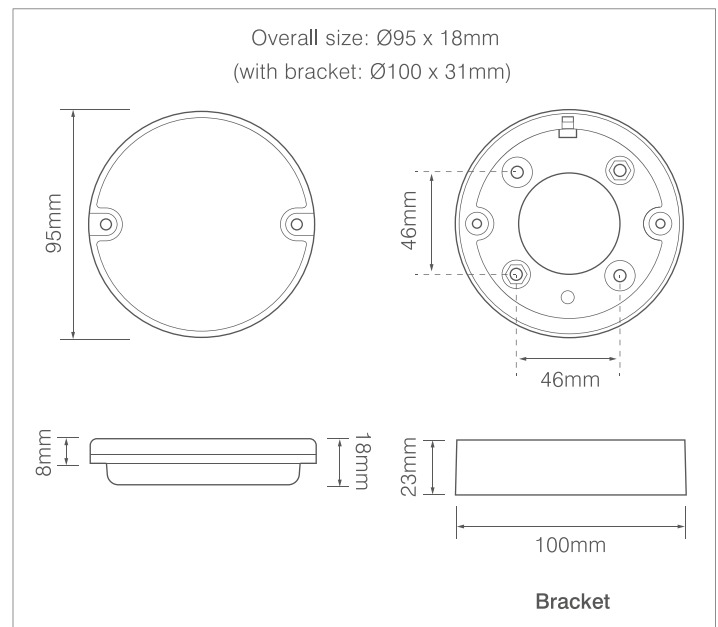
STOP / TAIL / INDICATOR

95STIM

Current Draw (13.8V / 28V):

Stop: 0.11A / 0.05A, Tail: 0.01A / 0.01A, Indicator: 0.2A / 0.09A

- Three function Compact Combination Lamp
- 95mm diameter round lamp
- Low-profile design – only 18mm depth
- Fully ECE approved
- Tough acrylic lens
- Surface mounting bracket available
- Shock, water and dust proof
- IP67 ingress protection



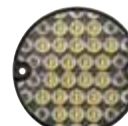
FULL 95 SERIES REAR LAMP RANGE AVAILABLE:



95AM
Indicator



95RM
Stop / Tail



95WM
Reverse



95FM
Fog

T: +44 (0)121 313 2222 **F:** +44 (0)121 313 2272 **E:** sales@ledautolamps-uk.com

LED Autolamps Europe LLP, Unit 8J, Maybrook Business Park, Minworth, Sutton Coldfield, B76 1AL, United Kingdom

WWW.LEDAUTOLAMPS-UK.COM